



Description

The LITELUME™ Roadway (LL-RW) Draws attention with a heavy duty die-cast aluminum housing, outstanding corrosion protection, uncompromising optical performance and un-matched versatility for a wide variety of area and roadway applications. Featuring a single latch tool-less entry, terminal block power set up, industry leading surge protection options, superior lumen maintenance with a robust yet economical design.

Applications: Roadways, Multi-family, Community and general site illumination.

Fixture Information

Size:	45W/70W/100W/150W
Housing:	Die-cast Aluminum Housing
Finish:	Protective powdercoat
Color:	Standard: Grey Custom Options: Black (BK) White (WH) Bronze (BZ)
Mounting:	Standard: Wall Mount
Lens:	Polycarbonate
Voltage:	Standard: 120-277V Optional: 480V
Sensor:	Standard: No sensor Custom: Twistlock Photocell (120-277V)
Warranty:	10-Year Limited Warranty

Performance Data

Lumen Output:

6,100 to 20,000 lm

Lumens Per Watt (typical):

135 to 141 lm/W

CCT:

3000K
4000K
5000K

Distribution

T2
T3
T4

Lifespan:

Features Philip Lumileds with up to 100,000 running hours

Ratings & Certificates

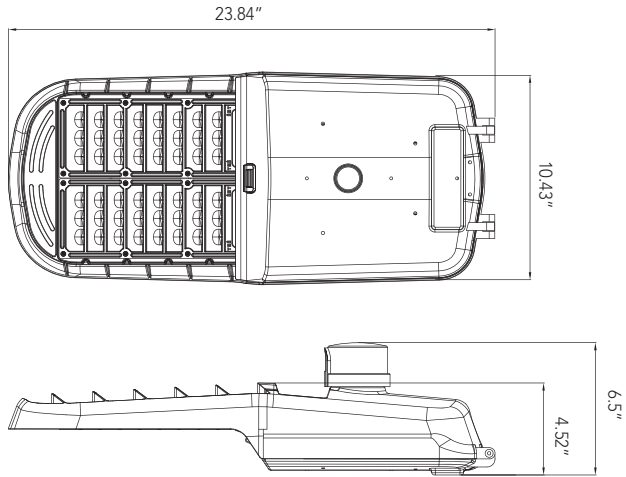
UL Listed For Wet Location
IP66 rated





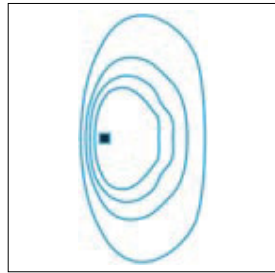
Dimension

Item	Width	Length	Height	Weight
45W	23.84"	10.43"	4.52"	8.35 lb
70W	23.84"	10.43"	4.52"	8.66 lb
100W	23.84"	10.43"	4.52"	9.46 lb
150W	23.84"	10.43"	4.52"	10.02 lb

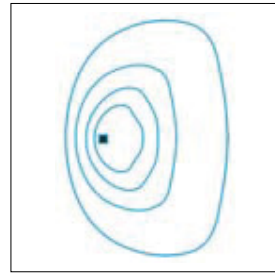


Photometrics

Type 2



Type 3



Type 4

