

# FPBL Duo Color and Power Switchable Flat Panel



## Indoor

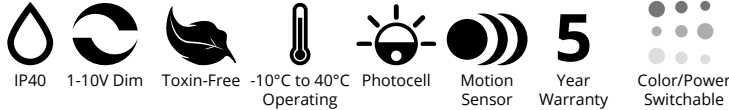
The DUO Switchable Panel provides a low profile, low glare, uniform source ambient lighting fixture. It includes two DIP switch to easily and reliably adjust CCT and lumens, making it a one fits all solution for indoor commercial lighting applications including but not limited to offices, retail space, and showrooms. The DUO simplifies the work of specifiers, designers, and contractors, who often must consider the lighting requirements of multiple rooms when completing interiors.



Luminaire	Color and Lumen Switchable Flat Panel	Type
Project		
Product		
Notes		

### Features

- Field-adjustable light output with 3/5 discrete steps
- White Tunable with 3/5 discrete steps
- Emergency Backup Option Available
- Non-yellowing PS Diffuser and PMMA LED Lens



### Order Format

Sample: FPBL24T - 40W - 02

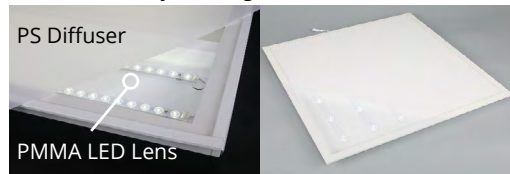
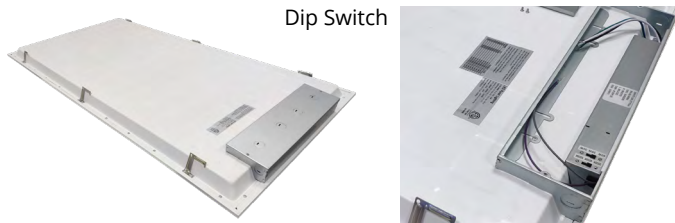
Series	Model	Wattage	CCT	Voltage	Dimming
FPBL =Flat Panel	22T=2'x2' CCT& Lumen Switchable	30W= 20W, 25W, 30W Switchable	01=3500/4000/5000 Switchable 02=3000/3500/3700 /4000/5000 Switchable	Blank=100-277V	Blank=1-10V Dimming
	24T=2'x4' CCT& Lumen Switchable	40W= 30W, 35W, 40W Switchable			

### Application

As stated above, application of the DUO is extremely flexible. In installation, the DUO has the features of a classic panel. If a room has T-bar ceilings, the panel can be recessed into the grid. If other placement is required, ATG offers mounting options such as surface mounting kits, drywall flange kits, and suspension wiring.

### Construction

Considering its robust performance, the Duo is impressively lightweight and streamlined in outward design. Out of package, you can observe a profile of only 1.4 inches, not counting the driver. As a supplement to this convenience, we have permanently sealed the optical module so that no internal cleaning is required. For guaranteed strength, the Duo is also manufactured with an aluminum frame and zinc coated iron back housing. For high quality output and sleek appearance, the fixture also features a non-yellowing PS Diffuser, and PMMA LED lens.



### Electrical

Long-life LEDs, coupled with a high-efficiency driver, provide superior illumination for extended service life. The fixture reaches an amazing lumen efficacy up to 140 LM/W.

<b>Input Voltage (VAC)</b>	100-277
<b>CRI</b>	80+
<b>CCT(K)</b>	3500/4000/5000 DIP Switch, 3000/3500/3700/4000/5000 DIP Switch
<b>PF</b>	.95
<b>THD</b>	<20%
<b>SDCM</b>	6
<b>Color</b>	White (RAL 9003)
<b>Housing</b>	UV resistant, Aluminum Frame, Zinc Coated Iron
<b>Lens</b>	PMMA Lens with PS Diffuser
<b>Temperature Range</b>	-10°C to 40°C
<b>Warranty</b>	5 Years

### Optics

Aside from its flexibility, the DUO is chosen in indoor commercial applications that require a combination of lighting uniformity, comfort, and higher visibility. These requirements are met with the DUO's PMMA lens that softens and distributes light, and a backlit housing that intensifies the output from the diodes.

### Certifications

- ETL
- DLC Premium
- CE
- Rohs

\*contact sales for lead time

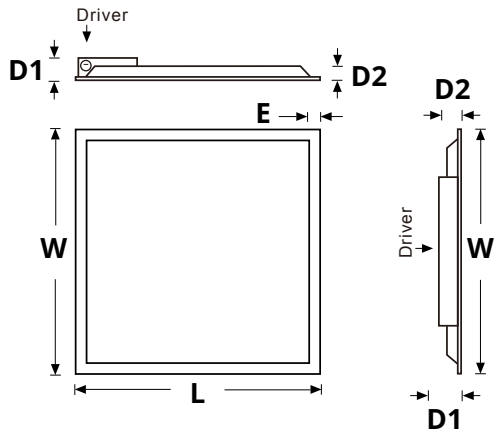
**FPBL Duo Color and Power Switchable Flat Panel**  
Indoor



Lumen Data												
Size	Part Number	Wattage (W)	System Wattage	3000K Lumens (Lm)	System wattage	3500K Lumens (Lm)	System Wattage	3700K Lumens (Lm)	System wattage	4000K Lumens (Lm)	System wattage	5000K Lumens (Lm)
2x2	FPBL22T-30W-01	20W	-	-	21	2845	-	-	20	3017	21	2909
		25W	-	-	26	3327	-	-	25	3545	25	3412
		30W	-	-	30	3791	-	-	28	4094	29	3856
	FPBL22T-30W-02	15W	15	2000	15	2052	15	2302	15	2257	15	2107
		20W	20	2615	21	2845	20	3009	20	3017	21	2909
		25W	25	3205	26	3327	25	3678	25	3545	25	3412
		30W	30	3805	30	3791	30	4424	28	4094	29	3856
2x4	FPBL24T-40W-01	30W	-	-	30	3887	-	-	29	4089	30	4015
		35W	-	-	36	4498	-	-	35	4690	36	4562
		40W	-	-	41	4927	-	-	39	5330	40	5164
	FPBL24T-40W-02	25W	25	3317	25	3258	25	3607	25	3536	25	3362
		30W	30	3902	30	3887	30	4243	29	4089	30	4015
		35W	35	4464	36	4498	35	4820	35	4690	36	4562
		40W	40	4929	41	4927	40	5571	39	5330	40	5164
		48W	48	5884	48	5699	48	6554	48	6425	48	6017

**Dimensions**

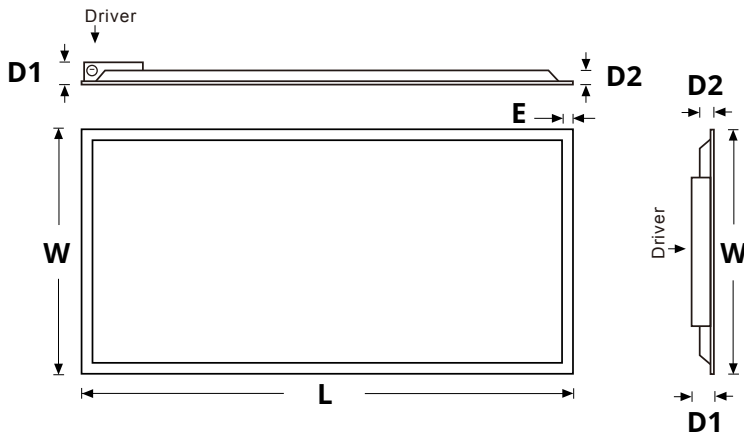
**2x2**



Part No.	Length (L)	Width(W)	Depth (D1)	Depth (D2)	Edge (E)
FPBL22	23.77(604)	23.77(604)	2.16(55)	1.37(35)	1.06(27)

Recorded in inches

**2x4**

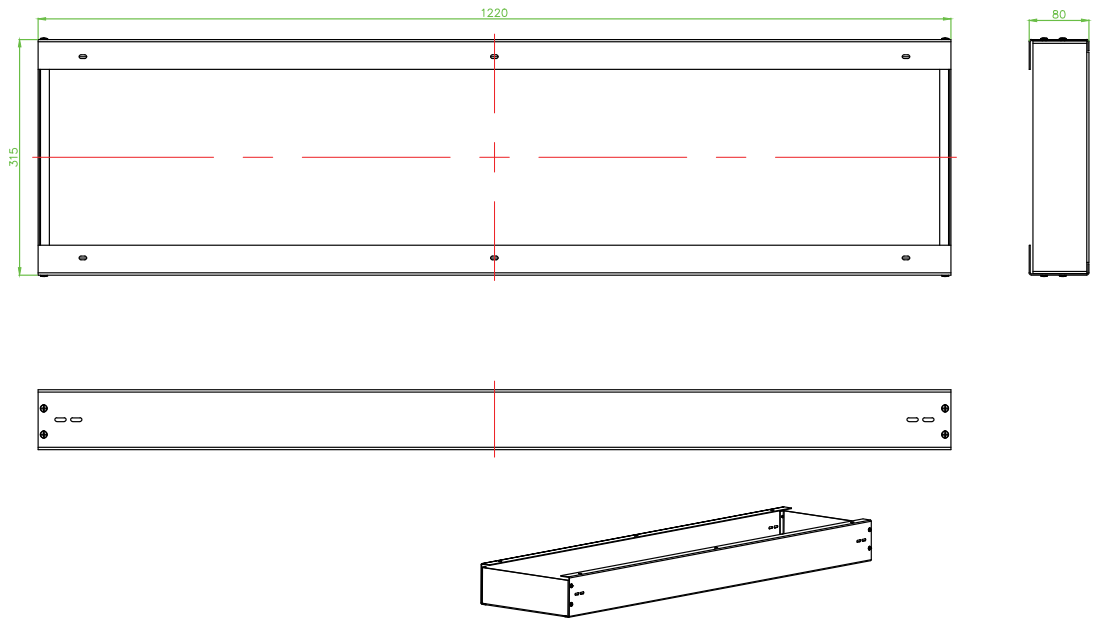


Part No.	Length (L)	Width(W)	Depth (D1)	Depth (D2)	Edge (E)
FPBL24	47.79(1214)	23.77(604)	2.16(55)	1.37(35)	1.06(27)

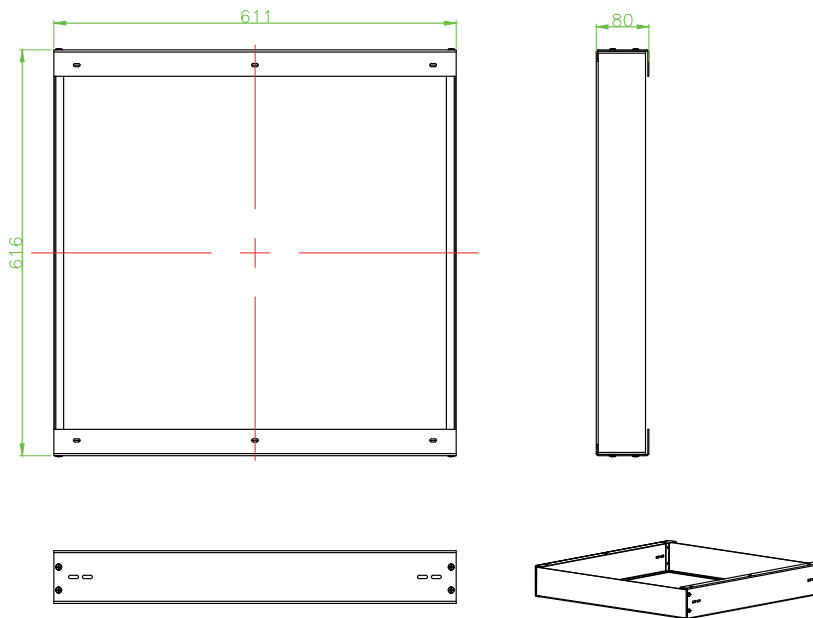
Recorded in inches

**Accessories**

**1x4 SMK  
HAC-CLMB0-0600A0-RS**

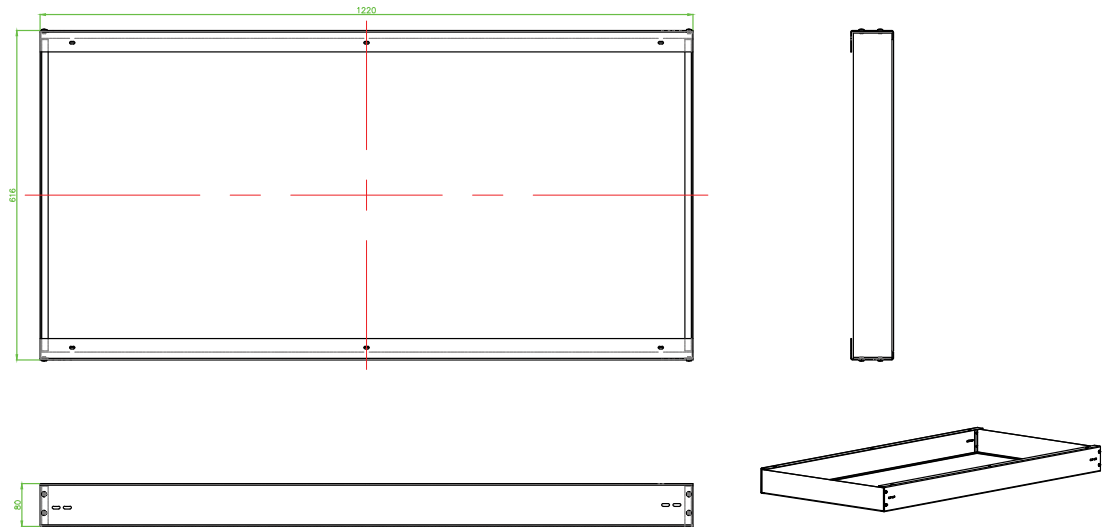


**2x2 SMK  
CLMB0-0600A0-RS**



**Accessories**

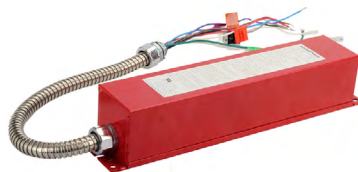
**2x4 SMK**  
**HAC-CLMB0-0612A0-RS**



**Electrical Accessories**



**WP-08U-48-EA**  
**Emergency Driver**  
[online download](#)



Motion  
Sensor

**BRI810-B-F**  
**Bi-level and Daylight**  
**Harvest Sensor**  
[online download](#)



**\*only for factory**  
**installation**

**RF**  
**Wireless System**  
[online download](#)



**Descriptions**

Protects against short-circuits, open-circuits, and over-load.

BRI810-B-F is a moving object sensor that can detect range of 360° and its working frequency is 5.8GHz. The advantage of this product is stable working state (stable working temperature: -40°C+70°C), BRI810-B-F adopts a microwave sensor (high-frequency output < 0.2mW), so that it is safe and performs better than infrared sensor.

Includes:

1. Power Pack 0-1 0V dimming module: which controls load according to radio frequency (RF) command sending from sensor or dimmer.
2. Wireless PIR occupancy / vacancy sensor: which detect people movement to see if the space is occupied, then send wireless command to dimming module to control the light on/off/dim automatically.
3. Wireless daylight harvest sensor: which measure light in the space, then wirelessly transmits the light level to the associated dimming module that automatically control the lights to balance light level in the space.
4. Wireless Dimmer: which can be used to manually turn on/off and dim lights.